



Hot buffet units
7077.0020 - 7077.0025 - 7077.0030

User Manual
Gebruikershandleiding
Gebrauchsanweisung
Le mode d'emploi



CONTENT

ENGLISH

1. GENERAL INFORMATION	4
1.1 Information about the instruction manual	4
1.2 Key to symbols	4
1.3 Declaration of conformity	4
2. SAFETY	5
2.1 General Information	5
2.2 Safety instructions for using the device	5
2.3 Intended use	5
3. TRANSPORT, PACKAGING AND STORAGE	6
3.1 Delivery check	6
3.2 Packaging	6
3.3 Storage	6
4. TECHNICAL DATA	6
4.1 Technical specifications	6
4.2 Overview of parts	7
5. INSTALLATION AND OPERATION	8
5.1 Safety instructions	8
5.2 Installation and connection	8
5.3 Operating	9
6. CLEANING AND MAINTENANCE	10
6.1 Safety advice	10
6.2 Cleaning	10
6.3 Safety instructions for maintenance	10
7. WASTE DISPOSAL	10

NEDERLANDS

1. ALGEMENE INFORMATIE	11
1.1 Informatie over de handleiding	11
1.2 Sleutel tot symbolen	11
1.3 Conformiteitsverklaring	11
2. VEILIGHEID	12
2.1 Algemene informatie	12
2.2 Veiligheidsinstructies voor het gebruik van het apparaat	12
2.3 Beoogd gebruik	12
3. VERVOER, VERPAKKING EN OPSLAG	13
3.1 Controle bij levering	13
3.2 Verpakking	13
3.3 Opslag	13
4. TECHNISCHE GEGEVENS	13
4.1 Technische specificaties	13
4.2 Overzicht van onderdelen	14
5. INSTALLATIE EN GEBRUIK	15
5.1 Veiligheidsinstructies	15
5.2 Installatie en aansluiting	15
5.3 Bediening	16
6. REINIGING EN ONDERHOUD	17
6.1 Veiligheidsadvies	17
6.2 Reiniging	17
6.3 Veiligheidsinstructies voor onderhoud	17
7. AFVALVERWIJDERING	17

DEUTSCH

1. ALLGEMEINE INFORMATION	18
1.1 Informationen zur Bedienungsanleitung	18
1.2 Bedeutung von Symbolen	18
1.3 Konformitätserklärung	18
2. SICHERHEIT	19
2.1 Allgemeine Information	19
2.2 Sicherheitshinweise zum Gebrauch des Gerätes	19
2.3 Verwendungszweck	19
3. TRANSPORT, VERPACKUNG UND LAGERUNG	20
3.1 Lieferüberprüfung	20
3.2 Verpackung	20
3.3 Lagerung	20
4. TECHNISCHE DATEN	20
4.1 Technische Spezifikationen	20
4.2 Überblick der Komponenten	21
5. INSTALLATION UND BETRIEB	22
5.1 Sicherheitshinweise	22
5.2 Installation und Anschluss	22
5.3 Betrieb	23
6. REINIGUNG UND WARTUNG	24
6.1 Sicherheitshinweis	24
6.2 Reinigung	24
6.3 Sicherheitshinweise zur Wartung	24
7. MÜLLENTSORGUNG	24

FRANÇAIS

1. INFORMATIONS GÉNÉRALES	25
1.1 Informations sur le mode d'emploi	25
1.2 Principaux symboles	25
1.3 Déclaration de conformité	25
2. SÉCURITÉ	26
2.1 Information générale	26
2.2 Consignes de sécurité pour l'utilisation de l'appareil	26
2.3 Utilisation prévue	26
3. TRANSPORT, EMBALLAGE ET STOCKAGE	27
3.1 Contrôle de réception	27
3.2 Emballage	27
3.3 Stockage	27
4. DONNÉES TECHNIQUES	27
4.1 Spécifications techniques	27
4.2 Vue d'ensemble des pièces	28
5. INSTALLATION ET FONCTIONNEMENT	29
5.1 Consignes de sécurité	29
5.2 Installation et connexion	29
5.3 Fonctionnement	30
6. NETTOYAGE ET ENTRETIEN	31
6.1 Conseil de sécurité	31
6.2 Nettoyage	31
6.3 Consignes de sécurité pour l'entretien	31
7. TRAITEMENT DES DÉCHETS	31
ELECTRICAL DIAGRAM / ELEKTRISCH SCHEMA / SCHALTPLAN / SCHEMA ÉLECTRIQUE	32

1. GENERAL INFORMATION

1.1 Information about the instruction manual

This instruction manual contains information about the installation, operation and maintenance of the device and should be consulted as an important source of information and reference guide. Awareness of the safety instructions and instructions for use in this manual will ensure the safe and correct use of the device. In addition to the information given here, you should comply with local health and safety controls and generally applicable safety regulations. The instruction manual forms part of the product and should be kept near the device and easily accessible for anyone carrying out the installation, servicing, maintenance or cleaning.

1.2 Key to symbols

In this manual symbols are used to highlight important safety instructions and any advice relating to the device. The instructions should be followed very carefully to avoid any risk of accident, personal injury or material damage.



WARNING!

This symbol highlights hazards, which could lead to injury.

Please follow the instructions very carefully and proceed with particular attention in these cases.



WARNING! Electrical hazard!

This symbol draws attention to potential electrical hazards. If you do not follow the safety instructions, you may risk injury or death.



CAUTION!

This symbol highlights instructions, which should be followed to avoid any risk of damage, malfunctioning and/or breakdown of the device.



NOTE !

This symbol highlights tips and information, which have to be followed for an efficient and trouble-free operation of the device.



NOTE !

Read the instruction manual carefully before using the device. The manufacturer does not accept liability for any damage or malfunction resulting from not following the instructions for use.

The instruction manual should be kept near the device, easily accessible for anyone wishing to work with or using it. We reserve the right to make technical changes for purposes of developing and improving the useful properties.

1.3 Declaration of conformity

We certify this unit in the EC declaration of conformity.

2. SAFETY

This section provides an overview of all important safety aspects. In addition every chapter provides precise safety advice for the prevention of dangers which are highlighted by the use of the above mentioned symbols. Furthermore, attention should be paid to all pictograms, markers and labels on the device, which must be kept in a permanent state of legibility. By following all the important safety advice you gain an optimal protection against all hazards as well as the assurance of a safe and trouble-free operation.

2.1 General Information

This device is designed in accordance with the presently applicable technological standards. However, the device can pose a danger if handled improperly and inappropriately.

Knowing the contents of the instruction manual as well as avoiding mistakes and thus operating this device safely and in a fault-free manner is very essential to protect yourselves from the hazards.

To prevent hazards and to ensure optimum efficiency, no modifications or alterations to the device that are not explicitly approved by the manufacturer may be undertaken.

This device may only be operated in technically proper and safe condition.

2.2 Safety instructions for using the device

The specifications regarding the industrial safety are based on the Regulations of the European Union applicable at the time of manufacturing the device. If the device is used commercially, the user is obliged to ensure that the said industrial safety measures concur with the state of the rules and regulations applicable at the time in question for the entire period of use of the device and to comply with the new specifications.

Outside the European Union, the industrial safety laws applicable at the place of installation of the device and the regional territorial provisions must be complied with.

Besides the industrial safety instructions in the instruction manual, the general safety and accident prevention regulations as well as environment protection regulations applicable for area of application of the device must be followed and complied with.



CAUTION !

- The device is not intended for use by individuals (including children) with physical or mental disabilities, insufficient experience, and/or insufficient knowledge unless such persons are under the care of a person responsible for their safety or have received instructions regarding appropriate use of the device.
- Children should be observed to ensure that they are not playing with the device.
- Preserve this manual safely. When passing on/selling the device to a third party, the manuals must be handed over along with the device.
- Every person using the device must act in accordance to the manuals and under consideration of the safety advice.
- The device is to be used indoors only.

2.3 Intended use



CAUTION !

This device has been designed and built for commercial use only and should be operated by qualified personnel only. Safe operation is only guaranteed when using the device for its intended purpose. Any technical interventions, as well as assembly and maintenance are to be made by a qualified customer service only.



CAUTION !

Any use going beyond the intended purpose and/or any different use of the device is forbidden and is not considered as conventional.

Any claims against the manufacturer purpose or his authorized representative as a consequence of experiencing damages resulting from unconventional use are impossible. The operator is liable for all damages resulting from inappropriate use.

3. TRANSPORT, PACKAGING AND STORAGE

3.1 Delivery check

Please check the delivery upon completeness and transport damage immediately after receipt. In case of visible damage do not accept or accept the delivery with reservation only.

Note the extent of damage on the carrier's bill of delivery. Trigger off the complaint.

Hidden damages should be reclaimed immediately after notice, as claims for damages can only be asserted within the effective period for complaints.

3.2 Packaging

Please do not throw away the covering carton of your device as it might be useful for storage purposes, when moving or, in case of damages, when the device must be sent back to a repair center. The outer and inner packing material should be removed completely from the device before installation.



NOTE!

If you would like to dispose the packing, consider the regulations applicable in your country. Supply re-usable packing materials to the recycling. Please inspect the device upon completeness. In case any part is missing please contact our customer service center immediately.

3.3 Storage

Keep the package closed until installation and under consideration of the outside indicated positioning- and storage markings. Packages should be stored under consideration of the following:

- Do not store outdoors.
- Keep it dry and dust-free.
- Do not expose it to aggressive media.
- Do not expose it to direct sunlight.
- Avoid mechanical shocks and vibration.
- In case of longer storage (>3 months) make sure you check the state of the packaging and the parts regularly.
- If required refresh or renew.

4. TECHNICAL DATA

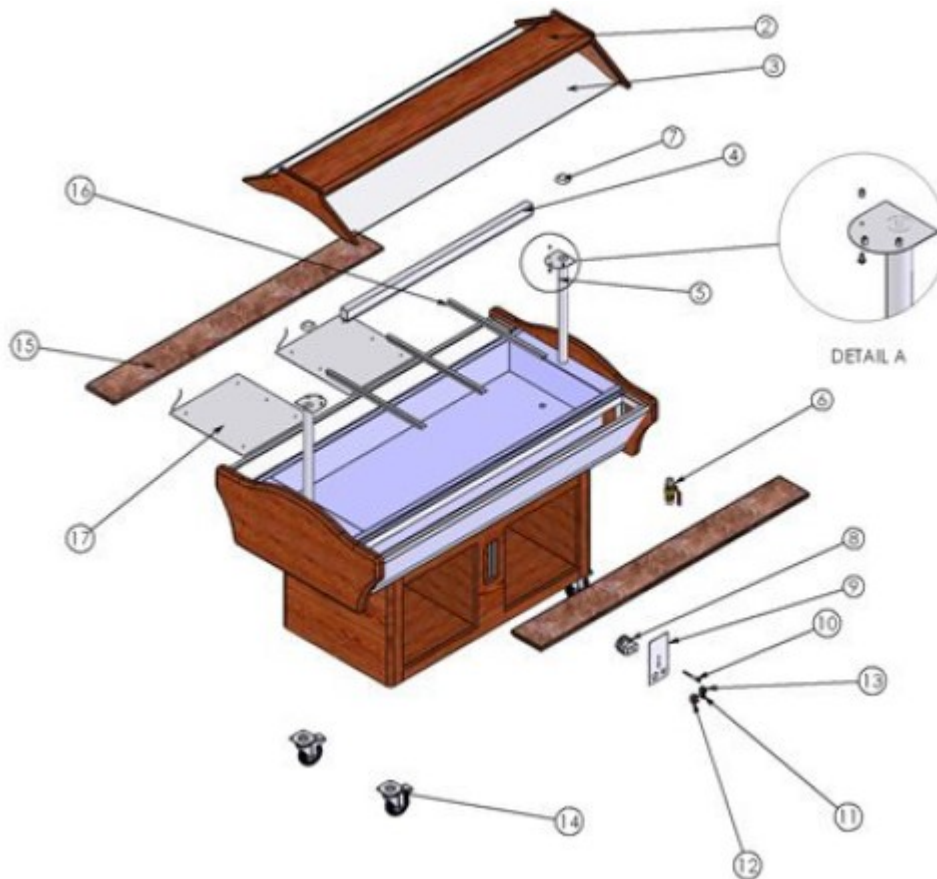
4.1 Technical specifications

MODEL	7077.0020	7077.0025	7077.0030
WIDHT	1200mm	1550mm	2200mm
CAPACITY	3x 1/1GN	4x 1/1GN	6x 1/1GN
VOLTAGE	220V		
FREQUENCY	50Hz		
HEATING FOILS	2x 1000W	2x 1500W	3x 1500W
WORKING TEMPERATURE	+30/+90°C		

Tray Slider Shelf



4.2 Overview of parts



ATTENTION:

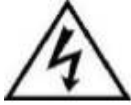
For assembling the light please fix the rod (#5) to the wooden cover (#2) by using the screws in the bag.

No.	Item description	Pcs.
002	Saladbar lamp wooden cover	1
003	Saladbar lamp glass cover	2
004	Lamp	1
005	Rod	2
006	Ball valve	1
007	Pipe ring	2
008	Thermostat	1
009	Control panel hot buffet unit	1
010	Signal lamp	1
011	Lighting switch	1
012	On-off switch	1
013	Thermostat switch	1
014	Wheel (free / with brake)	2/2
015	Granite working counter	2
016	GN pan basis	2/3/5
017	Resistance	2

5. INSTALLATION AND OPERATION

5.1 Safety instructions

WARNING! Electrical hazard!



The device must only be connected to a properly installed single socket with protective contact. Never yank cord to disconnect from outlet. Cable must not touch any hot parts.

- See that the cable does not touch any heat sources or sharp edges. Do not let the cable dangle over the counter edge.



WARNING! Hot surface!

During operation some elements of the device become very hot. To avoid burns, do not touch hot elements!

- Do not use the device in case it does not function properly, has been damaged or dropped.
- Do not use any accessory or spare parts that have not been recommended by the manufacturer. These can be dangerous for the user or lead to damages of the device or personal injury, and further, the warranty expires.
- Do not lay the cable over carpets or heat insulations. Do not cover the cable. Keep away the cable from operating range and do not dunk it into water.
- Do not move or tilt the device when in operation.



WARNING! Hazard via electrical current!

The device can cause injuries due to improper installation! Before installation the local power grid specification should be compared with that of the device (see type label). Connect the device only in case of compliance! Take note of the security advice!

5.2 Installation and connection



CAUTION!

Installation and maintenance of the device may be carried out only by qualified personnel.

ASSEMBLY OF SLIDING TRAY SHELF (fig.3)

- For mounting the brackets (3) of the sliding tray shelf, use holes "A" and "B" (the upper openings of the wooden panel). First, remove the plugs from the openings.
- Mount the bracket (3) on the wooden panel, by screwing bolt "1" in opening "A" and bolt "2" in opening "B".
- Mount the sliding tray shelf (1) on the brackets and adjust its position using the attached spacer bolts (2).

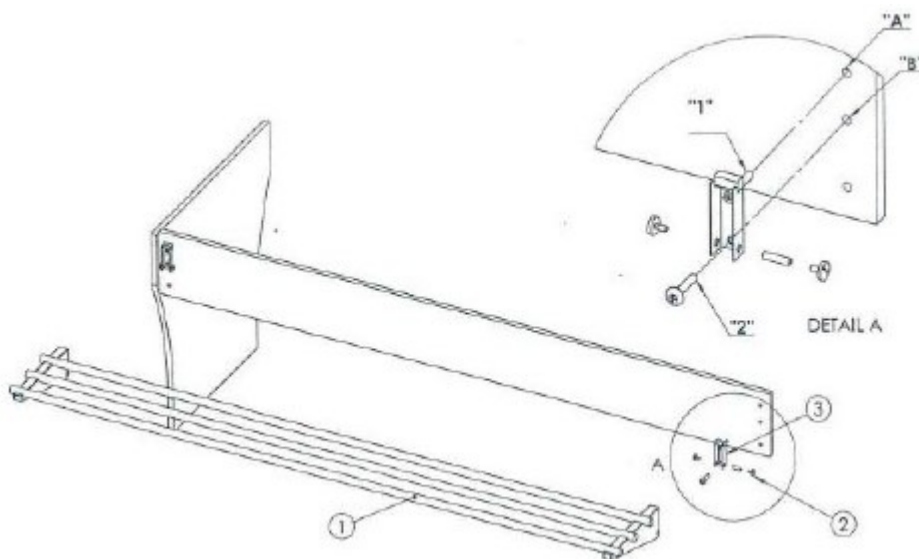


fig.3

If necessary, the sliding tray shelf can be folded (fig.4)



fig.4

Setup

- Place the device on a flat, secure surface that can support the device's weight.
- **Never** place the device on a flammable surface.
- **Do not** place the device near an open flame, electric or other heater, nor any other source of high temperatures.
- Locate the device so that the plug is easily accessible and, in case of need, can be quickly removed.
- When the device is located in its desired place, set the rotating castors using the brakes.

Connection

The electrical circuit must be secured to a minimum of 16A. Connect the device directly to a grounded wall socket; do not use extension cords or power strips.

5.3 Operating

Before first use

- Before first use clean the device thoroughly (6.2 "Cleaning").
- Ensure that the drain tap is closed.
- Ensure that the device is turned off.
- Connect the device to a single grounded outlet.

Tips for use

- For storing plates and other heavy items, use the lower portion of the device and included shelving.
- Place warm food products into the device so that they are more quickly ready to be served.



CAUTION!

When you will put down the cover head, please make sure the granite counter of the salad bar won't have any items on it.

6. CLEANING AND MAINTENANCE

6.1 Safety advice

- Before beginning with repair or cleaning works make sure the device has been disconnected from power socket (pull the power plug!!!) and has cooled down.
- Do not use any acid agents and make sure no water ingresses the device.
- To protect yourself from electric shock, **never** immerse the device, its cables and the plug in water or other liquids.

CAUTION!

The device is not suited for direct washing via water jets. Therefore, you must not use any kind of pressure water jet for cleaning the device!

6.2 Cleaning

- Clean the device daily when finished using.
- Leave the device to cool before cleaning.
- Remove GN containers before cleaning. Clean GN containers regularly in warm water with a soft cloth and mild cleaning agent. Rinse in clean water and dry thoroughly.
- Clean the housing, worktop and storage area with a moist, soft cloth and dry thoroughly.
- Drain water from the GN container basin.
- Wash the GN container basin thoroughly with a soft cloth and mild cleaning agent, rinse with clean water and dry.
- **Never** use sharp tools or objects with sharp edges for cleaning the device.
- **Never** use aggressive chemicals (e.g. scouring powder, agents containing alcohol, solvents) as they may damage the device's surface.

6.3 Safety instructions for maintenance

- Check the mains connection cable for damage from time to time. Never operate the device when the cable is damaged. A damaged cable must immediately be replaced by customer service or a qualified electrician to avoid dangers.
- In case of damage or malfunction, please contact your dealer or our customer service center.
- Only a qualified technician using original spare parts and accessories should carry out repairs and maintenance of the device. **Do not attempt to repair the device yourself.**

7. WASTE DISPOSAL

Discarding Old Devices

At the end of its service life the discarded device has to be disposed in accordance with the national regulations. It is advisable to contact a company which is specialized in waste disposal, or just contact the local disposal service in your community.



WARNING!

To exclude any abuse and the dangers involved make the waste device unfit for use before disposal. For that purpose disconnect device from mains supply and remove mains connection cable from the device.

1. ALGEMENE INFORMATIE

1.1 Informatie over de handleiding

Deze handleiding bevat informatie over de installatie, bediening en onderhoud van het apparaat en moet worden geraadpleegd als een belangrijke informatiebron en naslaggids. Kennis van de veiligheidsinstructies en instructies voor gebruik in deze handleiding zorgt voor een veilig en correct gebruik van het apparaat. Naast de informatie die hier wordt gegeven, moet u zich houden aan de lokale gezondheids- en veiligheidsmaatregelen en algemeen geldende veiligheidsvoorschriften. De handleiding maakt deel uit van het product en moet in de buurt van het apparaat worden bewaard en gemakkelijk toegankelijk zijn voor iedereen die de installatie, het onderhoud of de reiniging uitvoert.

1.2 Sleutel tot symbolen

In deze handleiding worden symbolen gebruikt om u te attenderen op belangrijke veiligheidsinstructies en advies met betrekking tot het apparaat. De instructies moeten zeer zorgvuldig worden opgevolgd om elk risico op ongevallen, persoonlijk letsel of materiële schade te voorkomen.



WAARSCHUWING!

Dit symbool wijst op gevaren die tot letsel kunnen leiden.

Volg de instructies zeer zorgvuldig op en ga in deze gevallen met zorgvuldige aandacht te werk.



WAARSCHUWING! Elektrisch gevaar!

Dit symbool vestigt de aandacht op mogelijke elektrische gevaren. Als u de veiligheidsinstructies niet opvolgt, riskeert u letsel of de dood.



VOORZICHTIG!

Dit symbool attendeert op instructies die moeten worden gevolgd om elk risico van schade, storingen en/of defecten van het apparaat te voorkomen.



LET OP!

Dit symbool attendeert u op tips en informatie die moeten worden gevolgd voor een efficiënte en probleemloze werking van het apparaat.



LET OP!

Lees de handleiding aandachtig door voordat u het apparaat gebruikt. De fabrikant aanvaardt geen aansprakelijkheid voor schade of storingen die voortvloeien uit het niet volgen van de gebruiksaanwijzing.

De handleiding moet in de buurt van het apparaat worden bewaard en gemakkelijk toegankelijk zijn voor iedereen die ermee wil werken of het wil gebruiken. We behouden ons het recht voor om technische wijzigingen aan te brengen met het oog op het ontwikkelen en verbeteren van de nuttige eigenschappen.

1.3 Conformiteitsverklaring

We certificeren dit apparaat in de EG-conformiteitsverklaring.

2. VEILIGHEID

Dit gedeelte biedt een overzicht van alle belangrijke veiligheidsaspecten. Bovendien bevat elk hoofdstuk nauwkeurig veiligheidsadvies ter voorkoming van gevaren die worden benadrukt door het gebruik van de bovengenoemde symbolen. Verder moet aandacht worden besteed aan alle pictogrammen, markeringen en labels op het apparaat, die permanent leesbaar moeten blijven. Door alle belangrijke veiligheidsadviezen op te volgen, bent u optimaal beschermd tegen alle gevaren en bent u verzekerd van een veilige en probleemloze werking.

2.1 Algemene informatie

Dit apparaat is ontworpen in overeenstemming met de momenteel geldende technologische normen. Het apparaat kan echter een gevaar vormen als het onjuist en verkeerd wordt gebruikt. Kennis van de inhoud van de handleiding en het vermijden van fouten en dus het veilig en foutloos bedienen van dit apparaat is essentieel om uzelf tegen de gevaren te beschermen. Om gevaren te voorkomen en een optimale efficiëntie te garanderen, mogen er geen wijzigingen of aanpassingen aan het apparaat worden aangebracht die niet expliciet door de fabrikant zijn goedgekeurd. Dit apparaat mag alleen worden gebruikt in technisch correcte en veilige staat.

2.2 Veiligheidsinstructies voor het gebruik van het apparaat

De specificaties met betrekking tot de industriële veiligheid zijn gebaseerd op de voorschriften van de Europese Unie die van toepassing zijn op het moment van fabricage van het apparaat. Als het apparaat commercieel wordt gebruikt, is de gebruiker verplicht ervoor te zorgen dat de genoemde industriële veiligheidsmaatregelen in overeenstemming zijn met de op dat moment geldende regels en voorschriften voor de gehele gebruiksperiode van het apparaat en om te voldoen aan de nieuwe specificaties.

Buiten de Europese Unie moeten de industriële veiligheidswetten van toepassing op de plaats van installatie van het apparaat en de regionale territoriale bepalingen worden nageleefd.

Naast de industriële veiligheidsinstructies in de instructiehandleiding, moeten de algemene veiligheids- en ongevalpreventievoorschriften en de milieubeschermingsvoorschriften die gelden voor het toepassingsgebied van het apparaat worden opgevolgd en nageleefd.



VOORZICHTIG!

- Het apparaat is niet bedoeld voor gebruik door personen (inclusief kinderen) met lichamelijke of geestelijke handicaps, onvoldoende ervaring en/of onvoldoende kennis, tenzij deze personen worden verzorgd door een persoon die verantwoordelijk is voor hun veiligheid of instructies heeft ontvangen over het juiste gebruik van het apparaat.
- Houd kinderen in de gaten om ervoor te zorgen dat ze niet met het apparaat spelen.
- Bewaar deze handleiding zorgvuldig. Bij het doorgeven/verkoopen van het apparaat aan een derde partij, moeten de handleidingen samen met het apparaat worden overhandigd.
- Iedereen die het apparaat gebruikt, moet zich houden aan de handleidingen en het veiligheidsadvies in acht nemen.
- Het apparaat mag alleen binnenshuis worden gebruikt.

2.3 Beoogd gebruik

VOORZICHTIG!



Dit apparaat is uitsluitend ontworpen en gebouwd voor commercieel gebruik en mag alleen door gekwalificeerd personeel worden gebruikt. Veilige werking is alleen gegarandeerd als het apparaat wordt gebruikt waarvoor het is bedoeld. Alle technische ingrepen, evenals montage en onderhoud mogen alleen worden uitgevoerd door een gekwalificeerde klantenservice.



VOORZICHTIG!

Gebruik dat afwijkt van het beoogde doel, en/of ander gebruik van het apparaat is verboden en wordt niet als gebruikelijk beschouwd.

Claims tegen het doel van de fabrikant of diens bevoegde vertegenwoordiger als gevolg van het ervaren van schade door gebruik afwijkend van het beoogde doel zijn uitgesloten. De gebruiker is aansprakelijk voor alle schade die voortvloeit uit ongepast gebruik.

3. VERVOER, VERPAKKING EN OPSLAG

3.1 Controle bij levering

Controleer de levering op volledigheid en transportschade onmiddellijk na ontvangst. In geval van zichtbare schade, accepteer de levering niet of accepteer deze onder voorbehoud.

Noteer de omvang van de schade op de leveringsbon van de koerier. De klacht indienen.

Claims voor verborgen schade moeten onmiddellijk na kennisgeving worden ingediend, omdat schadeclaims alleen binnen de effectieve klachtenperiode kunnen worden geaccepteerd.

3.2 Verpakking

Gooi de verpakking van uw apparaat niet weg, want dit kan handig zijn voor opslagdoeleinden, tijdens het verplaatsen of, in geval van schade, wanneer het apparaat naar een reparatiecentrum moet worden teruggestuurd. Het buitenste en binnenste verpakkingsmateriaal moet vóór installatie volledig van het apparaat worden verwijderd.



LET OP!

Houdt rekening met de voorschriften die in uw land van toepassing zijn bij het weggooien van de verpakking. Recycle herbruikbare verpakkingsmaterialen. Inspecteer het apparaat op volledigheid. Als er een onderdeel ontbreekt, neem dan onmiddellijk contact op met onze klantenservice.

3.3 Opslag

Houd de verpakking gesloten tot installatie en volg het op de verpakking aangegeven plaatsing- en opslagadvies. Opslag dient plaats te vinden met inachtneming van het volgende:

- Niet buiten opslaan.
- Droog en stofvrij houden.
- Niet blootstellen aan agressieve stoffen.
- Niet in direct zonlicht plaatsen.
- Mechanische schokken en trillingen vermijden.
- Controleer bij langdurige opslag (>3 maanden) regelmatig de staat van de verpakking en de onderdelen.
- Indien nodig vernieuwen of ververset.

4. TECHNISCHE GEGEVENS

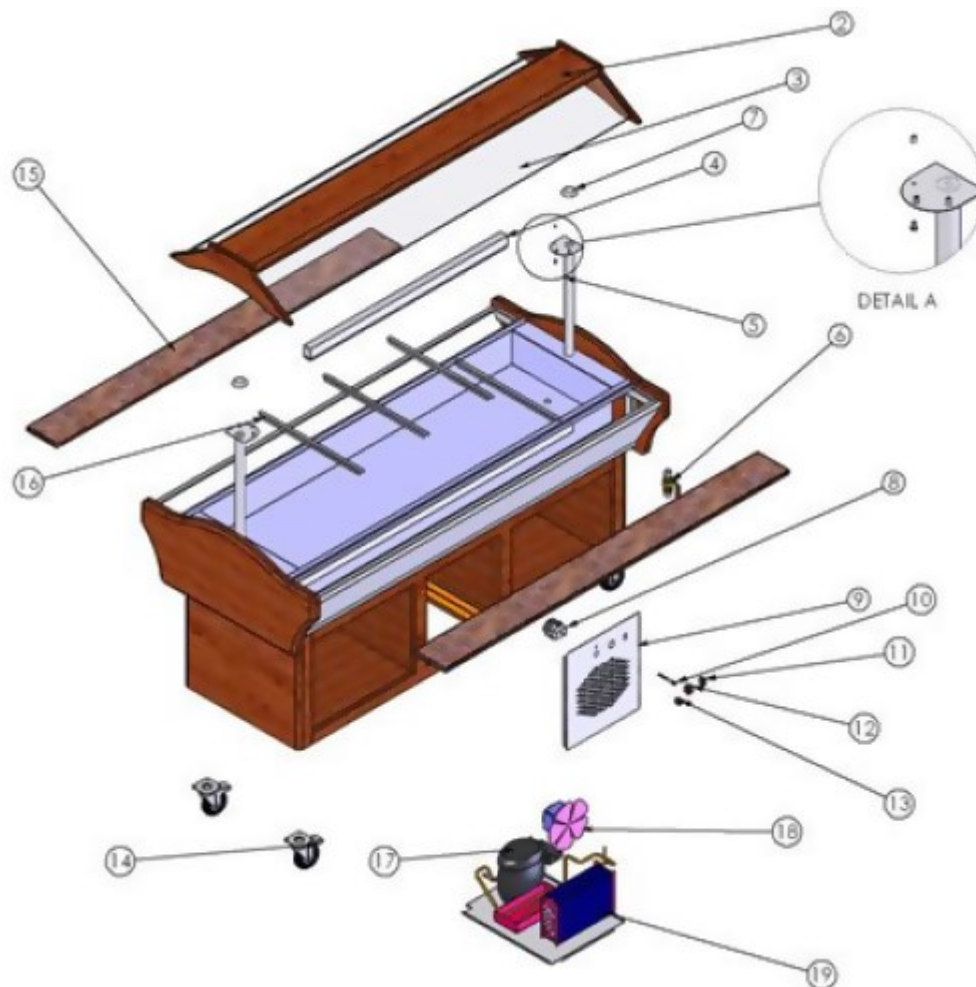
4.1 Technische specificaties

MODEL	7077.0020	7077.0025	7077.0030
BREEDTE	1200mm	1550mm	2200mm
CAPACITEIT	3x 1/1GN	4x 1/1GN	6x 1/1GN
SPANNING	220V		
FREQUENTIE	50Hz		
VERWARMINGSFOLIE	2x 1000W	2x 1500W	3x 1500W
WERKTEMPERATUUR	+30/+90°C		

Schuifplank



4.2 Overzicht van onderdelen



OPGELET:

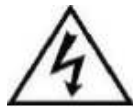
Bevestig de staaf (#5) aan de houten kap (# 2) voor het monteren van het licht met behulp van de schroeven in de zak.

Nr.	Beschrijving item	Stks.
002	Saladebar lamp houten kap	1
003	Saladebar lampglas kap	2
004	Lamp	1
005	Staaft	2
006	Kogelklep	1
007	Buisring	2
008	Thermostaat	1
009	Bedieningspaneel koud buffet	1
010	Signaallicht	1
011	Lichtschakelaar	1
012	Aan-uit schakelaar	1
013	Thermostaatschakelaar	1
014	Wiel (vrij / met rem)	2/2
015	Granieten toonbank	2
016	GN-bak voet	2/3/5
017	Weerstand	2

5. INSTALLATIE EN GEBRUIK

5.1 Veiligheidsinstructies

WAARSCHUWING! Elektrisch gevaar!



Het apparaat mag alleen worden aangesloten op een correct geïnstalleerd enkelvoudig stopcontact met beveiliging.

Trek nooit aan het snoer om de stekker uit het stopcontact te halen. Kabel mag geen hete delen raken.

- Controleer of de kabel geen warmtebronnen of scherpe randen raakt. Laat de kabel niet over de rand van de toonbank hangen.

WAARSCHUWING! Heet oppervlak!

Tijdens het gebruik worden sommige elementen van het apparaat erg heet. Raak hete elementen niet aan om brandwonden te voorkomen!

- Gebruik het apparaat niet als het niet goed functioneert, is beschadigd of is gevallen.
- Gebruik geen accessoires of reserveonderdelen die niet door de fabrikant zijn aanbevolen. Deze kunnen gevaarlijk zijn voor de gebruiker of leiden tot schade aan het apparaat of persoonlijk letsel, en de garantie vervalt.
- Leg de kabel niet over tapijt of warmte-isolatie. Bedek de kabel niet. Houd de kabel uit de buurt van het werkbereik en dompel deze niet in water.
- Verplaats of kantel het apparaat niet tijdens gebruik.



WAARSCHUWING! Gevaar door elektrische stroom!

Het apparaat kan letsel veroorzaken als gevolg van onjuiste installatie! Voor de installatie moet de specificatie van het lokale stroomnet worden vergeleken met die van het apparaat (zie typeplaatje). Sluit het apparaat alleen aan als het voldoet aan deze specificaties! Neem het veiligheidsadvies in acht!

5.2 Installatie en aansluiting



VOORZICHTIG!

Installatie en onderhoud van het apparaat mag alleen worden uitgevoerd door gekwalificeerd personeel.

MONTAGE VAN DE SCHUIFPLANK (fig.3)

- Gebruik gaten "A" en "B" (de bovenste openingen van het houten paneel) voor het monteren van de beugels (3) van het schuifplateau. Verwijder eerst de pluggen uit de openingen.
- Monteer de beugel (3) op het houten paneel door bout "1" in opening "A" en bout "2" in opening "B" te schroeven.
- Monteer het schuifplateau (1) op de beugels en stel de positie af met de bijgevoegde afstandsbouten (2).

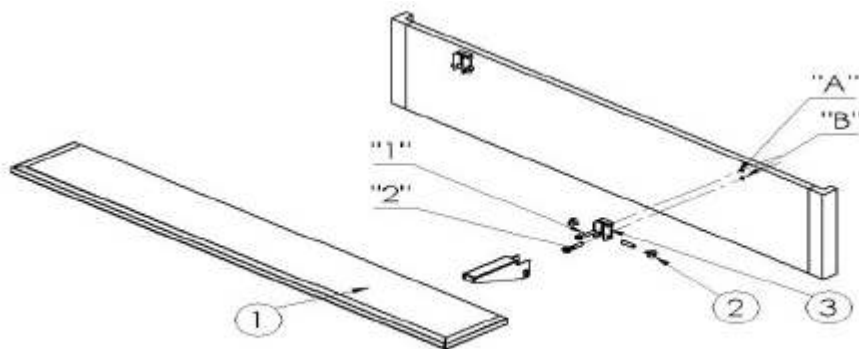


fig.3

Indien nodig kan de schuiflade worden ingeklapt (fig.4)



fig.4

Installatie

- Plaats het apparaat op een vlakke, veilige ondergrond die het gewicht van het apparaat kan dragen.
- Plaats het apparaat **nooit** op een onvlambaar oppervlak.
- Plaats het apparaat **niet** in de buurt van een open vlam, elektrische of andere verwarming, of een andere bron van hoge temperaturen.
- Plaats het apparaat zo dat de stekker gemakkelijk toegankelijk is en, indien nodig, snel kan worden verwijderd.
- Wanneer het apparaat op de gewenste plaats staat, stelt u de draaiende wielen in met behulp van de remmen.

Verbinding

Het elektrisch circuit moet worden beveiligd tot minimaal 16A. Sluit het apparaat rechtstreeks aan op een geaard stopcontact; gebruik geen verlengsnoeren of stekkerdozen.

5.3 Bediening

Voor eerste gebruik

- Reinig het apparaat grondig voor eerste gebruik. (6.2 "Reiniging").
- Zorg ervoor dat de aftapkraan dicht is.
- Zorg ervoor dat het apparaat is uitgeschakeld.
- Sluit het apparaat aan op een enkel geaard stopcontact.

Tips voor gebruik

- Gebruik voor het bewaren van borden en andere zware voorwerpen het onderste gedeelte van het apparaat en de meegeleverde planken.
- Plaats warme voedselproducten in het apparaat zodat ze sneller klaar zijn om te worden geserveerd.



VOORZICHTIG!

Wanneer u de afdekkap installeert, zorg dan dat de granieten toonbank vrij is.

6. REINIGING EN ONDERHOUD

6.1 Veiligheidsadvies

- Controleer voordat u begint met reparatie- of reinigingswerkzaamheden of het apparaat is losgekoppeld van het stopcontact (trek de stekker uit het stopcontact!!!) en is afgekoeld.
- Gebruik geen agressieve/zure middelen en zorg ervoor dat er geen water in het apparaat komt.
- Dompel het apparaat, de kabels en de stekker **nooit** onder in water of andere vloeistoffen om uzelf te beschermen tegen elektrische schokken.

VOORZICHTIG!

Het apparaat is niet geschikt voor reiniging met waterstralen. Gebruik daarom geen waterstraal onder druk om het apparaat te reinigen!

6.2 Reiniging

- Reinig het apparaat dagelijks wanneer u klaar bent met gebruik.
- Laat het apparaat afkoelen voordat u het schoonmaakt.
- Verwijder GN-bakken voor het reinigen. Reinig GN-bakken regelmatig met warm water met een zachte doek en een mild reinigingsmiddel. Spoel af met schoon water en droog grondig.
- Reinig de behuizing, het werkblad en de opslagruimte met een vochtige, zachte doek en droog grondig af.
- Laat het water uit het GN-reservoir lopen.
- Reinig het GN-reservoir grondig met een zachte doek en een mild reinigingsmiddel, spoel met schoon water en droog.
- Gebruik **nooit** scherpe gereedschappen of voorwerpen met scherpe randen om het apparaat schoon te maken.
- Gebruik **nooit** agressieve chemicaliën (bijv. schuurpoeder, alcoholhoudende middelen, oplosmiddelen) omdat deze het oppervlak van het apparaat kunnen beschadigen.

6.3 Veiligheidsinstructies voor onderhoud

- Controleer de aansluitkabel van tijd tot tijd op schade. Gebruik het apparaat nooit als de kabel is beschadigd. Een beschadigde kabel moet onmiddellijk worden vervangen door de klantenservice of een gekwalificeerde elektricien om gevaren te voorkomen.
- Neem in geval van schade of storing contact op met uw dealer of onze klantenservice.
- Alleen een gekwalificeerde monteur die originele reserveonderdelen en accessoires gebruikt, mag het apparaat repareren en onderhouden. **Probeer het apparaat niet zelf te repareren.**

7. AFVALVERWIJDERING

Oude apparaten weggooien

Aan het einde van zijn levensduur moet het apparaat worden verwijderd in overeenstemming met de nationale voorschriften. Het is raadzaam om contact op te nemen met een bedrijf dat gespecialiseerd is in afvalverwijdering, of neem contact op met de plaatselijke verwijderingsdienst in uw gemeenschap.



WAARSCHUWING!

Om misbruik en de daarbij behorende gevaren uit te sluiten, maakt u het oude apparaat ongeschikt voor gebruik voordat het wordt afgevoerd. Koppel daarvoor het apparaat los van de netvoeding en verwijder de stroomkabel van het apparaat.

1. ALLGEMEINE INFORMATION

1.1 Informationen zur Bedienungsanleitung

Diese Bedienungsanleitung enthält Informationen zu Installation, Betrieb und Wartung des Geräts und sollte als wichtige Informations- und Referenzquelle herangezogen werden. Die Kenntnis der Sicherheitshinweise und Gebrauchsanweisungen in diesem Handbuch gewährleistet die sichere und ordnungsgemäße Verwendung des Geräts. Zusätzlich zu den hier gegebenen Informationen sollten Sie die örtlichen Gesundheits- und Sicherheitskontrollen und die allgemein geltenden Sicherheitsbestimmungen einhalten. Die Bedienungsanleitung ist Teil des Produkts und sollte in der Nähe des Geräts aufbewahrt werden und für jeden, der die Installation, Wartung, Instandhaltung oder Reinigung vornimmt, leicht zugänglich sein.

1.2 Bedeutung von Symbolen

In dieser Anleitung werden Symbole verwendet, um wichtige Sicherheitshinweise und Ratschläge zum Gerät hervorzuheben. Die Anweisungen sollten sehr sorgfältig befolgt werden, um die Gefahr von Unfällen, Verletzungen oder Sachschäden zu vermeiden.



WARNUNG!

Dieses Symbol kennzeichnet Gefahren, die zu Verletzungen führen können.

Bitte befolgen Sie die Anweisungen sehr sorgfältig und gehen Sie in diesen Fällen besonders vorsichtig vor.



WARNUNG! Stromgefahr!

Dieses Symbol weist auf mögliche elektrische Gefahren hin. Wenn Sie die Sicherheitsanweisungen nicht befolgen, können Sie Verletzungen oder den Tod riskieren.



VORSICHT!

Dieses Symbol kennzeichnet Anweisungen, die befolgt werden müssen, um Schäden, Fehlfunktionen und/oder einen Ausfall des Geräts zu vermeiden.



HINWEIS !

Dieses Symbol kennzeichnet Tipps und Informationen, die für einen effizienten und störungsfreien Betrieb des Gerätes beachtet werden müssen.



HINWEIS!

Lesen Sie die Bedienungsanleitung sorgfältig durch, bevor Sie das Gerät verwenden. Der Hersteller übernimmt keine Haftung für Schäden oder Funktionsstörungen, die durch Nichtbeachtung der Gebrauchsanweisung entstehen.

Die Bedienungsanleitung sollte in der Nähe des Geräts aufbewahrt werden und für jeden, der damit arbeiten oder es benutzen möchte, leicht zugänglich sein. Technische Änderungen zur Weiterentwicklung und Verbesserung der Gebrauchseigenschaften behalten wir uns vor.

1.3 Konformitätserklärung

Wir zertifizieren, dass dieses Gerät der EG-Konformitätserklärung entspricht.

2. SICHERHEIT

Dieser Abschnitt bietet einen Überblick über alle wichtigen Sicherheitsaspekte. Darüber hinaus enthält jedes Kapitel präzise Sicherheitshinweise zur Vermeidung von Gefahren, die durch die Verwendung der oben genannten Symbole hervorgehoben werden. Beachten Sie außerdem alle Piktogramme, Markierungen und Aufkleber auf dem Gerät, die dauerhaft lesbar sein müssen. Durch Befolgen aller wichtigen Sicherheitshinweise erhalten Sie einen optimalen Schutz vor allen Gefahren sowie die Gewähr für einen sicheren und störungsfreien Betrieb.

2.1 Allgemeine Information

Dieses Gerät ist nach den derzeit gültigen technologischen Standards ausgelegt. Bei unsachgemäßer Handhabung kann das Gerät jedoch eine Gefahr darstellen.

Das Wissen um den Inhalt der Bedienungsanleitung sowie das Vermeiden von Fehlern und damit das sichere und fehlerfreie Bedienen dieses Gerätes ist sehr wichtig, um sich vor den Gefahren zu schützen.

Um Gefahren vorzubeugen und einen optimalen Wirkungsgrad zu gewährleisten, dürfen keine vom Hersteller nicht ausdrücklich genehmigten Umbauten oder Veränderungen am Gerät vorgenommen werden.

Dieses Gerät darf nur in technisch einwandfreiem und sicherem Zustand betrieben werden.

2.2 Sicherheitshinweise zum Gebrauch des Gerätes

Die Angaben zum Arbeitsschutz basieren auf den zum Zeitpunkt der Herstellung des Gerätes geltenden Vorschriften der Europäischen Union. Wenn das Gerät gewerblich genutzt wird, ist der Benutzer verpflichtet, dafür Sorge zu tragen, dass die genannten Arbeitsschutzmaßnahmen für die gesamte Nutzungsdauer des Gerätes dem jeweils geltenden Stand der Regeln und Vorschriften entsprechen und die neuen Spezifikationen einhalten. Außerhalb der Europäischen Union sind die am Aufstellungsort des Gerätes geltenden Arbeitsschutzgesetze und die regionalen Gebietsbestimmungen zu beachten.

Neben den Arbeitsschutzhinweisen in der Betriebsanleitung sind die allgemeinen Sicherheits- und Unfallverhütungsvorschriften sowie die für den Einsatzbereich des Gerätes geltenden Umweltschutzbestimmungen zu beachten und einzuhalten.

VORSICHT !

- Das Gerät ist nicht für die Verwendung durch Personen (einschließlich Kinder) mit körperlichen oder geistigen Behinderungen, unzureichender Erfahrung und/oder unzureichenden Kenntnissen vorgesehen, es sei denn, diese Personen werden von einer für ihre Sicherheit verantwortlichen Person betreut oder erhalten Anweisungen zur ordnungsgemäßen Verwendung von das Gerät.
- Kinder sollten beobachtet werden, um sicherzustellen, dass sie nicht mit dem Gerät spielen.
- Bewahren Sie dieses Handbuch sorgfältig auf. Bei Weitergabe / Verkauf des Geräts an Dritte müssen die Handbücher zusammen mit dem Gerät übergeben werden.
- Jede Person, die das Gerät benutzt, muss gemäß den Handbüchern und unter Berücksichtigung der Sicherheitshinweise handeln.
- Das Gerät darf nur in Innenräumen verwendet werden.

2.3 Verwendungszweck

VORSICHT !

Dieses Gerät wurde ausschließlich für den gewerblichen Gebrauch entwickelt und gebaut und darf nur von qualifiziertem Personal bedient werden. Ein sicherer Betrieb ist nur bei bestimmungsgemäßer

Verwendung des Gerätes gewährleistet. Technische Eingriffe sowie Montage und Wartung dürfen nur von einem qualifizierten Kundendienst durchgeführt werden

VORSICHT !

Jede über den bestimmungsgemäßen Zweck und/oder eine andere Verwendung des Gerätes hinausgehende Verwendung ist untersagt und gilt nicht als konventionell.

Ansprüche gegen den Hersteller oder seinen Bevollmächtigten wegen Schäden aus nicht bestimmungsgemäßer Verwendung sind ausgeschlossen. Der Betreiber haftet für alle Schäden, die durch unsachgemäßen Gebrauch entstehen.

3. TRANSPORT, VERPACKUNG UND LAGERUNG

3.1 Lieferüberprüfung

Bitte überprüfen Sie die Lieferung sofort nach Erhalt auf Vollständigkeit und Transportschäden. Im Falle von sichtbaren Schäden akzeptieren Sie die Lieferung nicht oder nur unter Vorbehalt.

Notieren Sie das Ausmaß des Schadens auf dem Lieferschein des Spediteurs. Legen Sie Beschwerde ein.

Versteckte Schäden sind unverzüglich nach Mitteilung geltend zu machen, da Schadensersatzansprüche nur innerhalb der wirksamen Reklamationsfrist geltend gemacht werden können.

3.2 Verpackung

Bitte werfen Sie den Umkarton Ihres Geräts nicht weg, da er zu Lagerungszwecken, beim Umzug oder im Falle von Beschädigungen nützlich sein kann, wenn das Gerät an ein Reparaturzentrum zurückgeschickt werden muss. Das äußere und innere Verpackungsmaterial sollte vor der Installation vollständig vom Gerät entfernt werden.



HINWEIS!

Wenn Sie die Verpackung entsorgen möchten, beachten Sie die in Ihrem Land geltenden Vorschriften. Mehrwegverpackungen dem Recycling zuführen. Bitte überprüfen Sie das Gerät auf Vollständigkeit. Sollte ein Teil fehlen, wenden Sie sich bitte umgehend an unser Kundendienstzentrum.

3.3 Lagerung

Halten Sie die Verpackung bis zur Installation und unter Berücksichtigung der außen angegebenen Positionierungs- und Lagermarkierungen geschlossen. Pakete sollten unter Berücksichtigung der folgenden Punkte gelagert werden:

- Nicht im Freien lagern.
- Halten Sie sie trocken und staubfrei.
- Setzen Sie sie keinen aggressiven Materialien aus.
- Setzen Sie sie keinem direkten Sonnenlicht aus.
- Vermeiden Sie mechanische Stöße und Vibrationen.
- Überprüfen Sie bei längerer Lagerung (> 3 Monate) regelmäßig den Zustand der Verpackung und der Teile.
- Bei Bedarf aktualisieren oder erneuern.

4. TECHNISCHE DATEN

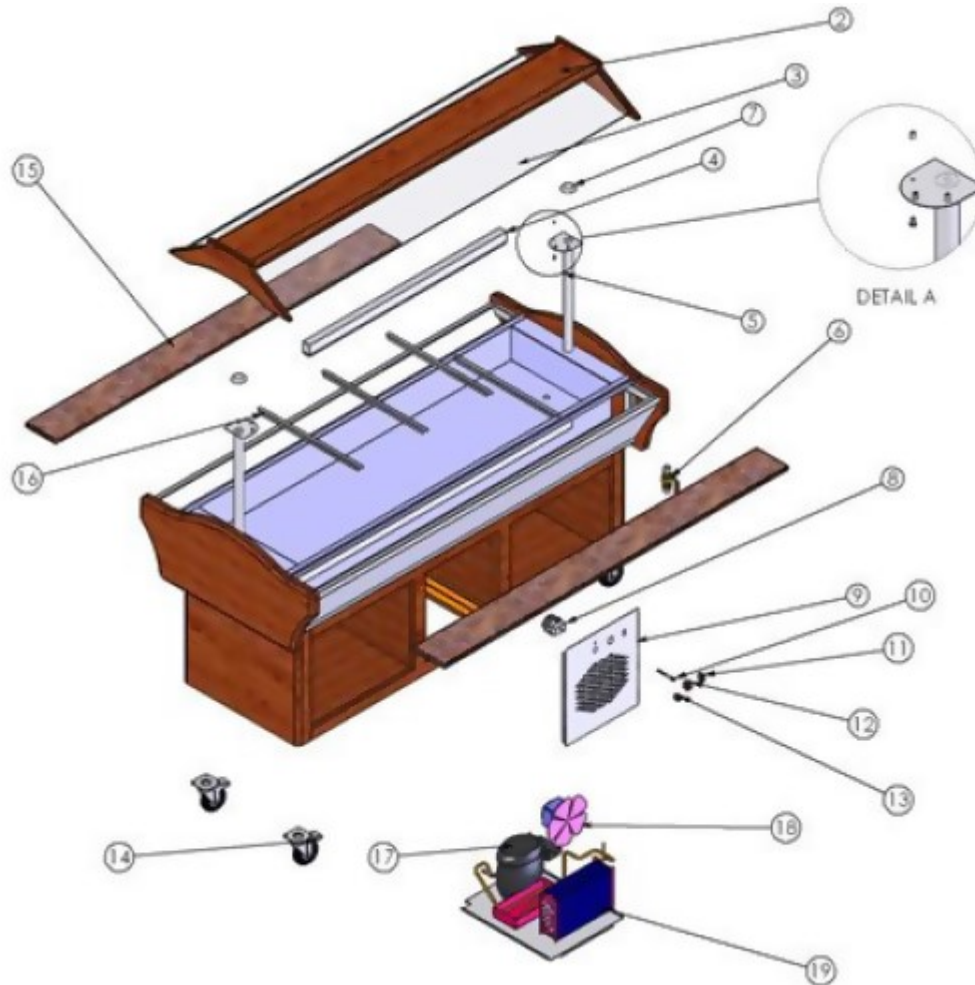
4.1 Technische Spezifikationen

MODEL	7077.0020	7077.0025	7077.0030
BREITE	1200mm	1550mm	2200mm
KAPAZITÄT	3x 1/1GN	4x 1/1GN	6x 1/1GN
STROMSPANNUNG	220V		
FREQUENZ	50Hz		
HEIZFOLIEN	2x 1000W	2x 1500W	3x 1500W
ARBEITSTEMPERATUR	+30/+90°C		

Schieberablage



4.2 Überblick der Komponenten



ACHTUNG:

Zum Zusammenbau der Leuchte befestigen Sie bitte den Stab (Nr. 5) mit den Schrauben aus der Tüte an der Holzabdeckung (Nr. 2).

No.	Komponente	Stk.
002	Salatbar Lampe Holzabdeckung	1
003	Salatbar Lampe Glasabdeckung	2
004	Lampe	1
005	Stab	2
006	Kugelhahn	1
007	Rohrring	2
008	Thermostat	1
009	Bedienfeld kaltes Buffet	1
010	Signallampe	1
011	Lichtschalter	1
012	An-Aus Schalter	1
013	Thermostat Schalter	1
014	Rad (frei / mit Bremse)	2/2
015	Arbeitsplatte aus Granit	2
016	GN-Pfannenbasis	2/3/5
017	Widerstand	2

5. INSTALLATION UND BETRIEB

5.1 Sicherheitshinweise

WARNUNG! Stromgefahr!



Das Gerät darf nur an eine ordnungsgemäß installierte Einzelsteckdose mit Schutzkontakt angeschlossen werden.

Ziehen Sie niemals am Kabel, um es aus der Steckdose zu ziehen. Das Kabel darf keine heißen Teile berühren.

- Achten Sie darauf, dass das Kabel keine Wärmequellen oder scharfen Kanten berührt. Lassen Sie das Kabel nicht über die Arbeitsplattenkante hängen.

WARNUNG! Heiße Oberfläche!

Während des Betriebs werden einige Elemente des Geräts sehr heiß. Berühren Sie keine heißen Elemente, um Verbrennungen zu vermeiden!

- Verwenden Sie das Gerät nicht, wenn es nicht richtig funktioniert, beschädigt oder fallengelassen wurde.
- Verwenden Sie keine Zubehör- oder Ersatzteile, die nicht vom Hersteller empfohlen wurden. Diese können für den Benutzer gefährlich sein oder zu Schäden am Gerät oder zu Personenschäden führen. Außerdem erlischt die Garantie.
- Verlegen Sie das Kabel nicht über Teppichen oder Wärmeisolierungen. Decken Sie das Kabel nicht ab. Halten Sie das Kabel vom Betriebsbereich fern und tauchen Sie es nicht in Wasser ein.
- Bewegen oder kippen Sie das Gerät nicht während des Betriebs.



WARNUNG! Gefahr durch elektrischen Strom!

Das Gerät kann durch unsachgemäße Installation zu Verletzungen führen! Vor der Installation sollte die lokale Netzspezifikation mit der des Geräts verglichen werden (siehe Typenschild). Schließen Sie das Gerät nur bei Einhaltung an! Beachten Sie die Sicherheitshinweise!

5.2 Installation und Anschluss



VORSICHT!

Installation und Wartung des Gerätes dürfen nur von qualifiziertem Personal durchgeführt werden.

MONTAGE DES SCHIEBETAFELREGALS (Abb.3)

- Verwenden Sie für die Montage der Halterungen (3) des Fachbodens die Löcher „A“ und „B“ (die oberen Öffnungen der Holzplatte). Entfernen Sie zuerst die Stopfen aus den Öffnungen.
- Befestigen Sie die Halterung (3) an der Holzplatte, indem Sie die Schraube „1“ in die Öffnung „A“ und die Schraube „2“ in die Öffnung „B“ schrauben.
- Montieren Sie den Einschubboden (1) an den Halterungen und justieren Sie seine Position mit den beiliegenden Abstandsbolzen (2).

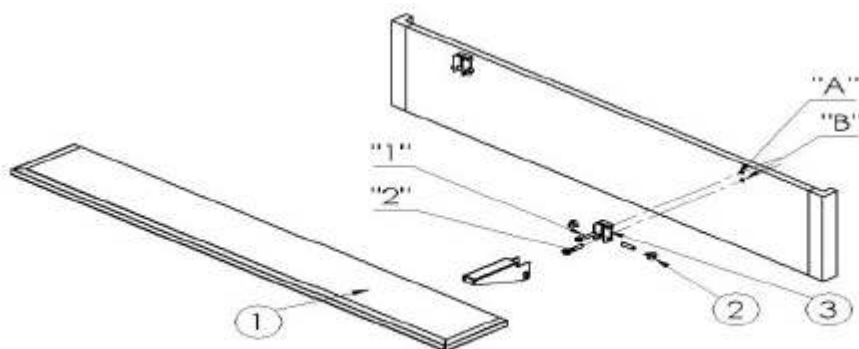


fig.3

Bei Bedarf kann die Schiebetafel zusammengeklappt werden (Abb.4)



fig.4

Konfiguration

- Stellen Sie das Gerät auf eine flache, sichere Oberfläche, die das Gewicht des Geräts tragen kann. Stellen Sie das Gerät **niemals** auf eine brennbare Oberfläche.
- Stellen Sie das Gerät **nicht** in der Nähe von offenen Flammen, elektrischen oder anderen Heizkörpern oder anderen Hochtemperaturquellen auf.
- Stellen Sie das Gerät so auf, dass der Stecker leicht zugänglich ist und bei Bedarf schnell entfernt werden kann.
- Wenn sich das Gerät an der gewünschten Stelle befindet, stellen Sie die Lenkrollen mit den Bremsen fest.

Verbindung

Der Stromkreis muss mindestens 16 A betragen. Schließen Sie das Gerät direkt an eine geerdete Steckdose an. Verwenden Sie keine Verlängerungskabel oder Steckerleisten.

5.3 Betrieb

Vor dem ersten Einsatz

- Reinigen Sie das Gerät vor dem ersten Gebrauch gründlich (6.2 „Reinigung“).
- Stellen Sie sicher, dass der Ablasshahn geschlossen ist.
- Stellen Sie sicher, dass das Gerät ausgeschaltet ist.
- Schließen Sie das Gerät an eine geerdete Steckdose an.

Nutzungshinweise

- Verwenden Sie zum Aufbewahren von Tellern und anderen schweren Gegenständen den unteren Teil des Geräts und das mitgelieferte Regal.
- Legen Sie warme Lebensmittel in das Gerät, damit diese schneller zum Servieren bereit sind.



ACHTUNG!

Achten Sie beim Ablegen der Abdeckung darauf, dass sich auf der Granitplatte der Salatbar keine Gegenstände befinden.

6. REINIGUNG UND WARTUNG

6.1 Sicherheitshinweis

- Stellen Sie vor Beginn der Reparatur- oder Reinigungsarbeiten sicher, dass das Gerät vom Stromnetz getrennt (Netzstecker ziehen !!!) und abgekühlt ist.
- Verwenden Sie keine ätzenden Mittel und achten Sie darauf, dass kein Wasser in das Gerät eindringt.
- Tauchen Sie das Gerät, seine Kabel und den Stecker niemals in Wasser oder andere Flüssigkeiten, um sich vor Stromschlägen zu schützen.

ACHTUNG!

Das Gerät ist nicht zum direkten Waschen mit Wasserstrahlen geeignet. Daher dürfen Sie zur Reinigung des Gerätes keinen Druckwasserstrahl verwenden!

6.2 Reinigung

- Reinigen Sie das Gerät nach Gebrauch täglich.
- Lassen Sie das Gerät vor der Reinigung abkühlen.
- Entfernen Sie vor der Reinigung die GN-Behälter. Reinigen Sie GN-Behälter regelmäßig in warmem Wasser mit einem weichen Tuch und einem milden Reinigungsmittel. Mit klarem Wasser abspülen und gründlich trocknen.
- Reinigen Sie das Gehäuse, die Arbeitsplatte und den Aufbewahrungsbereich mit einem feuchten, weichen Tuch und trocknen Sie sie gründlich ab.
- Wasser aus dem GN-Behälterbecken ablassen.
- Waschen Sie das GN-Behälterbecken gründlich mit einem weichen Tuch und einem milden Reinigungsmittel, spülen Sie es mit klarem Wasser ab und trocknen Sie es.
- Verwenden Sie zum Reinigen des Geräts **niemals** scharfe Werkzeuge oder Gegenstände mit scharfen Kanten.
- Verwenden Sie **niemals** aggressive Chemikalien (z. B. Scheuermittel, alkoholhaltige Mittel, Lösungsmittel), da diese die Oberfläche des Geräts beschädigen können.

6.3 Sicherheitshinweise zur Wartung

- Überprüfen Sie das Netzanschlusskabel von Zeit zu Zeit auf Beschädigungen. Betreiben Sie das Gerät niemals, wenn das Kabel beschädigt ist. Ein beschädigtes Kabel muss sofort vom Kundendienst oder einem qualifizierten Elektriker ausgetauscht werden, um Gefahren zu vermeiden.
- Bei Beschädigungen oder Störungen wenden Sie sich bitte an Ihren Händler oder an unser Kundendienstzentrum.
- Reparaturen und Wartungen am Gerät dürfen nur von qualifizierten Technikern durchgeführt werden, die Originalersatzteile und -zubehör verwenden. **Versuchen Sie nicht, das Gerät selbst zu reparieren.**

7. MÜLLENTSORGUNG

Altgerätesorgung

Am Ende seiner Lebensdauer muss das entsorgte Gerät gemäß den nationalen Bestimmungen entsorgt werden. Es ist ratsam, sich an ein auf Abfallentsorgung spezialisiertes Unternehmen zu wenden oder sich einfach an den örtlichen Entsorgungsdienst in Ihrer Gemeinde zu wenden.



WARNUNG!

Um jeglichen Missbrauch und die damit verbundenen Gefahren auszuschließen, ist das Abfallgerät vor der Entsorgung unbrauchbar zu machen. Dazu Gerät vom Stromnetz trennen und Netzanschlusskabel vom Gerät abziehen.

1. INFORMATIONS GÉNÉRALES

1.1 Informations sur le mode d'emploi

Ce mode d'emploi contient des informations sur l'installation, le fonctionnement et la maintenance de l'appareil et doit être consulté en tant que source d'informations et de référence importante. La connaissance des consignes de sécurité et des instructions d'utilisation contenues dans ce mode d'emploi garantira une utilisation correcte et sans danger de l'appareil. En plus des informations fournies ici, vous devez vous conformer aux contrôles de santé et de sécurité locaux et aux réglementations de sécurité générales en vigueur. Le mode d'emploi fait partie du produit et doit être conservé à proximité de l'appareil et facilement accessible à toute personne effectuant l'installation, la maintenance, l'entretien ou le nettoyage.

1.2 Principaux symboles

Dans ce mode d'emploi, les symboles servent à souligner les consignes de sécurité importantes et tout conseil relatif à l'appareil. Les instructions doivent être suivies très attentivement pour éviter tout risque d'accident, de blessure corporelle ou de dégât matériel.



ATTENTION !

Ce symbole met en évidence les dangers pouvant entraîner des blessures.

Veillez suivre les instructions très attentivement et procéder avec une attention particulière dans ces cas.



ATTENTION ! Danger électrique !

Ce symbole attire l'attention sur les potentiels risques électriques. Si vous ne suivez pas les instructions de sécurité, vous risquez des blessures graves, voire mortelles.



AVERTISSEMENT !

Ce symbole désigne les consignes qui doivent être suivies pour éviter tout risque de dommages, un mauvais fonctionnement et / ou la panne de l'appareil.



NOTE !

Ce symbole désigne les conseils et des informations qui doivent être suivies pour une opération efficace et sans problème de l'appareil.



NOTE !

Lisez attentivement le mode d'emploi avant d'utiliser l'appareil. Le fabricant décline toute responsabilité pour tout dommage ou dysfonctionnement résultant du non-respect des instructions d'utilisation.

Le mode d'emploi doit être conservé à proximité de l'appareil, facilement accessible à toute personne souhaitant travailler avec ou l'utiliser. Nous nous réservons le droit d'apporter des modifications techniques dans le but de développer et d'améliorer les propriétés utiles.

1.3 Déclaration de conformité

Nous certifions cet appareil dans la déclaration de conformité CE.

2. SÉCURITÉ

Cette section donne un aperçu de tous les aspects importants de la sécurité. En outre, chaque chapitre fournit des conseils de sécurité précis pour la prévention des dangers qui sont soulignés par l'utilisation des symboles mentionnés ci-dessus. De plus, tous les pictogrammes, marqueurs et étiquettes de l'appareil doivent être surveillés et doivent rester dans un état de lisibilité permanent. En suivant tous les conseils de sécurité importants, vous bénéficiez d'une protection optimale contre tous les dangers ainsi que de l'assurance d'un fonctionnement sûr et sans problème.

2.1 Information générale

Cet appareil est conçu conformément aux normes technologiques en vigueur. Cependant, l'appareil peut présenter un danger s'il est manipulé de manière incorrecte et inappropriée.

Il est essentiel de connaître le contenu du manuel d'utilisation, d'éviter les erreurs et de faire fonctionner cet appareil en toute sécurité et de manière irréprochable, afin de vous protéger des dangers.

Afin d'éviter tout danger et d'assurer une efficacité optimale, aucune modification ou altération de l'appareil non explicitement approuvée par le fabricant ne peut être entreprise.

Cet appareil ne doit être utilisé que dans des conditions techniques appropriées et sûres.

2.2 Consignes de sécurité pour l'utilisation de l'appareil

Les spécifications relatives à la sécurité industrielle sont basées sur les règlements de l'Union européenne applicable au moment de la fabrication du dispositif. Si l'appareil est utilisé à des fins commerciales, l'utilisateur est tenu de s'assurer que les mesures de sécurité industrielle en vigueur sont conformes à l'état des règles et réglementations applicables à l'époque en question pour toute la durée d'utilisation de l'appareil et sont conformes aux nouvelles spécifications.

En dehors de l'Union européenne, les lois sur la sécurité du travail applicables sur le lieu d'installation du dispositif et les dispositions territoriales régionales doivent être respectées.

Outre les consignes de sécurité dans le manuel d'utilisation, les consignes générales de sécurité et de prévention des accidents ainsi que les consignes de protection de l'environnement applicables au domaine d'utilisation de l'appareil doivent être respectées et respectées.



AVERTISSEMENT !

- L'appareil n'est pas destiné à être utilisé par des personnes (y compris des enfants) présentant une déficience physique ou mentale, une expérience insuffisante et / ou des connaissances insuffisantes, à moins que ces personnes ne soient confiées à une personne responsable de leur sécurité ou aient reçu des instructions concernant l'utilisation appropriée de l'appareil.
- Les enfants doivent être surveillés pour s'assurer qu'ils ne jouent pas avec l'appareil.
- Conservez ce mode d'emploi en toute sécurité. Lors de la cession / vente de l'appareil à un tiers, les manuels doivent être remis avec l'appareil.
- Toute personne utilisant l'appareil doit respecter les manuels et tenir compte des consignes de sécurité.
- L'appareil doit être utilisé à l'intérieur uniquement.

2.3 Utilisation prévue

AVERTISSEMENT !



Cet appareil a été conçu et construit pour une utilisation commerciale uniquement et ne doit être utilisé que par du personnel qualifié. Un fonctionnement sûr n'est garanti que si vous utilisez l'appareil pour l'usage auquel il est destiné. Les interventions techniques, ainsi que le montage et la maintenance, doivent être effectués uniquement par un service après-vente qualifié.



AVERTISSEMENT !

Toute utilisation allant au-delà de la destination et / ou toute autre utilisation de l'appareil est interdite et n'est pas considérée comme conventionnelle.

Toute réclamation contre le fabricant ou son mandataire résultant de dommages à cause d'une utilisation non conventionnelle est impossible. L'opérateur est responsable de tous les dommages résultant d'une utilisation inappropriée.

3. TRANSPORT, EMBALLAGE ET STOCKAGE

3.1 Contrôle de réception

Veuillez vérifier l'intégralité et les dommages liés au transport immédiatement après réception, à la livraison. En cas de dommage visible, n'acceptez pas la livraison avec réservation uniquement.

Notez l'étendue des dommages sur le bon de livraison du livreur. Déclenchez une plainte.

Les dommages cachés doivent être recouverts immédiatement après notification, car les demandes en dommages-intérêts ne peuvent être invoquées que pendant la période effective de plainte.

3.2 Emballage

Veuillez ne pas jeter le carton de couverture de votre appareil, il pourrait être utile pour le stockage, le déménagement ou, en cas de dommage, lorsque l'appareil doit être renvoyé à un centre de réparation. Les matériaux d'emballage extérieur et intérieur doivent être complètement retirés de l'appareil avant l'installation.



NOTE !

Si vous souhaitez jeter l'emballage, tenez compte de la réglementation en vigueur dans votre pays. Fournissez des matériaux d'emballage réutilisables au recyclage. S'il vous plaît inspecter l'appareil à la complétude. En cas de perte de pièce, veuillez contacter immédiatement notre service clientèle.

3.3 Stockage

Conservez l'emballage fermé jusqu'à l'installation et tenez compte des marques de positionnement et de stockage indiquées à l'extérieur. Les colis doivent être stockés en tenant compte des éléments suivants :

- Ne pas stocker à l'extérieur.
- Garder au sec et sans poussière.
- Ne pas exposer à un média agressif.
- Ne pas exposer aux rayons directs du soleil.
- Éviter les chocs et vibrations mécaniques.
- En cas de stockage plus long (> 3 mois), assurez-vous de vérifier régulièrement l'état de l'emballage et des pièces.
- Si nécessaire rafraîchir ou renouveler.

4. DONNÉES TECHNIQUES

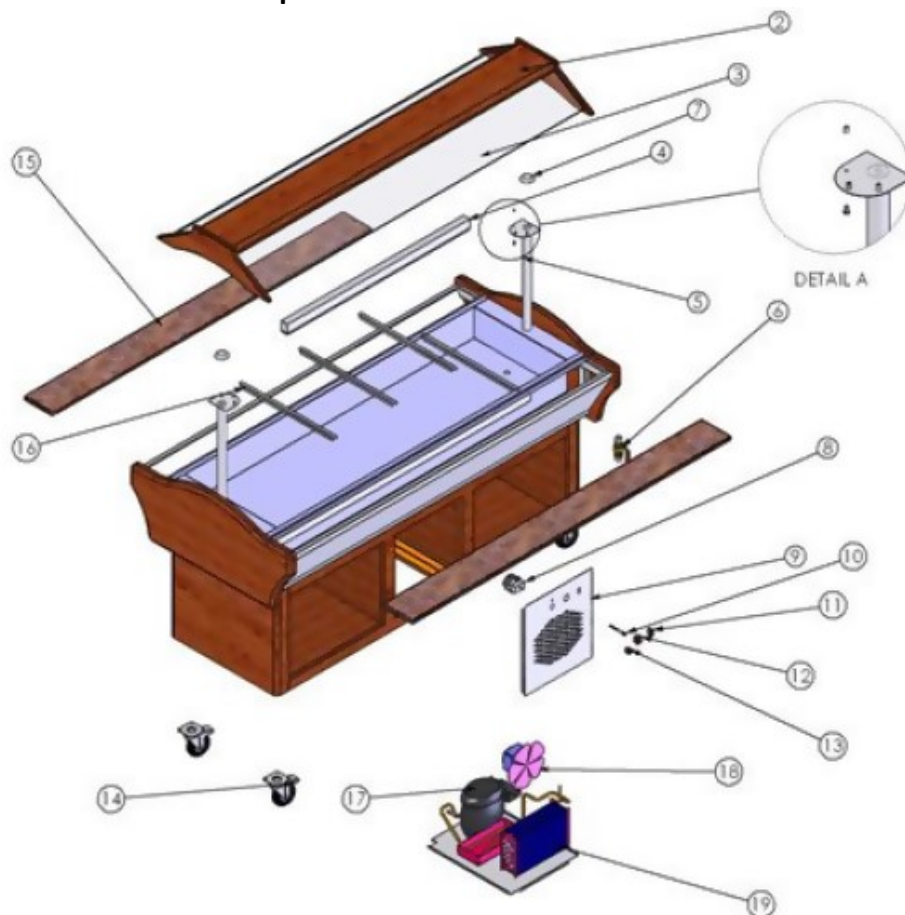
4.1 Spécifications techniques

MODEL	7077.0020	7077.0025	7077.0030
LARGEUR	1200mm	1550mm	2200mm
CAPACITÉ	3x 1/1GN	4x 1/1GN	6x 1/1GN
TENSION	220V		
FRÉQUENCE	50Hz		
FEUILLES DE CHAUFFAGE	2x 1000W	2x 1500W	3x 1500W
TEMPÉRATURE DE FONCTIONNEMENT	+30/+90°C		

Étagère à plateau coulissant



4.2 Vue d'ensemble des pièces



ATTENTION :

Pour assembler la lampe, fixez la tige (n ° 5) au couvercle en bois (n ° 2) à l'aide des vis situées dans le sac.

No.	Description de la pièce	Pièces
002	Couvercle en bois de lampe du bar à salade	1
003	Couvercle en verre de la lampe du bar à salade	2
004	Lampe	1
005	Barre	2
006	Robinet à tournant sphérique	1
007	Anneau de tuyau	2
008	Thermostat	1
009	Panneau de commande buffet froid	1
010	Lampe de signalisation	1
011	Interrupteur d'éclairage	1
012	Interrupteur marche / arrêt	1
013	Interrupteur de thermostat	1
014	Roue (libre / avec frein)	2/2
015	Comptoir de travail en granit	2
016	Base poêle GN	2/3/5
017	Résistance	2

5. INSTALLATION ET FONCTIONNEMENT

5.1 Consignes de sécurité

ATTENTION ! Danger électrique !



L'appareil ne doit être branché qu'à une prise de courant individuelle avec contact de protection correctement installée.

Ne tirez jamais sur le cordon pour le débrancher de la prise. Le câble ne doit toucher aucune partie chaude.

- Veillez à ce que le câble ne touche aucune source de chaleur ou d'arête vive. Ne laissez pas le câble pendre sur le bord du comptoir.

ATTENTION ! Surface chaude !

Pendant le fonctionnement, certains éléments de l'appareil deviennent très chauds. Pour éviter les brûlures, ne touchez pas les éléments chauds !

- N'utilisez pas l'appareil au cas où il ne fonctionnerait pas correctement, serait endommagé ou serait tombé.
- N'utilisez aucun accessoire ou pièce de rechange non recommandée par le fabricant. Celles-ci peuvent être dangereuses pour l'utilisateur ou endommager l'appareil ou des dommages corporels. De plus, la garantie expire.
- Ne posez pas le câble sur des tapis ou des isolants thermiques. Ne couvrez pas le câble. Éloignez le câble de la plage de fonctionnement et ne le plongez pas dans l'eau.
- Ne déplacez pas et n'inclinez pas l'appareil lorsqu'il est en marche.



ATTENTION ! Danger de courant électrique !

L'appareil peut causer des blessures en cas d'installation incorrecte ! Avant l'installation, les spécifications du réseau électrique local doivent être comparées à celles de l'appareil (voir la plaque signalétique). Connectez l'appareil uniquement en cas de conformité ! Prenez note des conseils de sécurité !

5.2 Installation et connexion

AVERTISSEMENT !

L'installation et la maintenance de l'appareil ne doivent être effectuées que par du personnel qualifié.

ASSEMBLAGE DE L'ÉTAGÈRE PLATEAU COULISSANT (fig.3)

- Pour monter les supports (3) de l'étagère du plateau coulissant, utilisez les trous "A" et "B" (les ouvertures supérieures du panneau en bois). Commencez par retirer les bouchons des ouvertures.
- Montez le support (3) sur le panneau en bois en vissant le boulon "1" dans l'ouverture "A" et le boulon "2" dans l'ouverture "B".
- Montez la tablette coulissante (1) sur les supports et ajustez sa position à l'aide des boulons entretoises fournis (2).

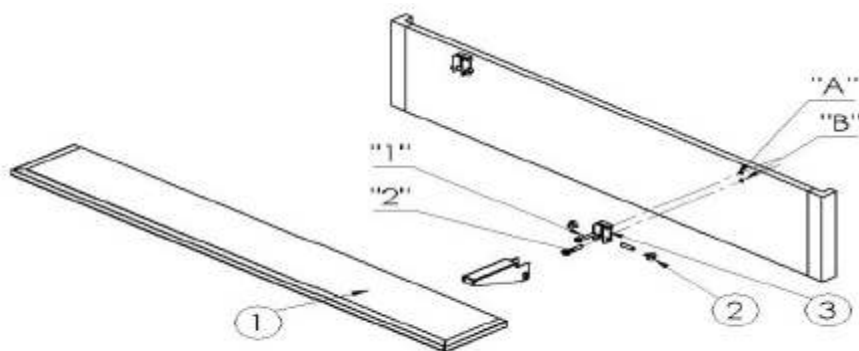


fig.3

Si nécessaire, l'étagère coulissante peut être pliée (fig.4)



fig.4

Installation

- Placez l'appareil sur une surface plane et sécurisée pouvant supporter son poids.
- Ne placez **jamais** l'appareil sur une surface inflammable.
- Ne placez **pas** l'appareil près d'une flamme nue, d'un appareil de chauffage électrique ou autre, ni de toute autre source de températures élevées.
- Localisez l'appareil de sorte que la prise soit facilement accessible et puisse être retirée rapidement en cas de besoin.
- Lorsque l'appareil se trouve à l'endroit souhaité, réglez les roulettes rotatives à l'aide des freins.

Connexion

Le circuit électrique doit être sécurisé à un minimum de 16A. Connectez l'appareil directement à une prise murale mise à la terre et n'utilisez pas de rallonges ni de multiprises.

5.3 Fonctionnement

Avant la première utilisation

- Avant la première utilisation, nettoyez soigneusement l'appareil (6.2 « Nettoyage »).
- Assurez-vous que le robinet de vidange est fermé.
- Assurez-vous que l'appareil est éteint.
- Connectez l'appareil à une prise de terre unique.

Conseils d'utilisation

- Pour ranger des assiettes et autres objets lourds, utilisez la partie inférieure de l'appareil et les étagères fournies.
- Placez les aliments chauds dans l'appareil afin qu'ils soient prêts à être servis plus rapidement.



AVERTISSEMENT !

Assurez-vous que le comptoir en granite du bar à salade ne contient aucun article lorsque vous déposez la tête de la couverture.

6. NETTOYAGE ET ENTRETIEN

6.1 Conseil de sécurité

- Avant de commencer les travaux de réparation ou de nettoyage, assurez-vous que l'appareil a été débranché de la prise de courant (débranchez-le !!!) et s'est refroidi.
- N'utilisez aucun agent acide et assurez-vous que de l'eau ne pénètre pas dans l'appareil.
- Pour vous protéger des chocs électriques, n'immergez jamais l'appareil, ses câbles et sa prise dans de l'eau ou dans tout autre liquide.

Avertissement !

L'appareil n'est pas adapté au lavage direct via des jets d'eau. Par conséquent, vous ne devez utiliser aucun type de jet d'eau sous pression pour nettoyer l'appareil !

6.2 Nettoyage

- Nettoyez l'appareil tous les jours lorsque vous avez fini de l'utiliser.
- Laissez l'appareil refroidir avant de le nettoyer.
- Enlevez les récipients GN avant le nettoyage. Nettoyez régulièrement les récipients GN dans de l'eau tiède avec un chiffon doux et un détergent doux. Rincer à l'eau claire et bien sécher.
- Nettoyez le boîtier, le plan de travail et la zone de stockage avec un chiffon doux et humide et séchez soigneusement.
- Vidangez l'eau du bassin du conteneur GN.
- Lavez soigneusement le bassin du récipient GN avec un chiffon doux et un détergent doux, rincez à l'eau claire et séchez.
- N'utilisez **jamais** d'outils tranchants ou d'objets à bords tranchants pour nettoyer l'appareil.
- N'utilisez **jamais** de produits chimiques agressifs (p. Ex. Poudre à récurer, agents contenant de l'alcool, solvants), car ils pourraient endommager la surface de l'appareil.

6.3 Consignes de sécurité pour l'entretien

- Vérifiez que le câble de raccordement au réseau ne soit pas endommagé de temps en temps. N'utilisez jamais l'appareil lorsque le câble est endommagé. Un câble endommagé doit être immédiatement remplacé par le service après-vente ou par un électricien qualifié pour éviter les dangers.
- En cas de dommage ou de dysfonctionnement, veuillez contacter votre revendeur ou notre service clientèle.
- Seul un technicien qualifié, utilisant des pièces de rechange et des accessoires d'origine, est habilité à effectuer les réparations et la maintenance de l'appareil. N'essayez pas de réparer l'appareil vous-même.

7. TRAITEMENT DES DÉCHETS

Jeter les vieux appareils

À la fin de sa durée de vie, l'appareil mis au rebut doit être éliminé conformément à la réglementation du pays. Il est conseillé de contacter une entreprise spécialisée dans l'élimination des déchets ou tout simplement de contacter le service d'élimination local de votre communauté.



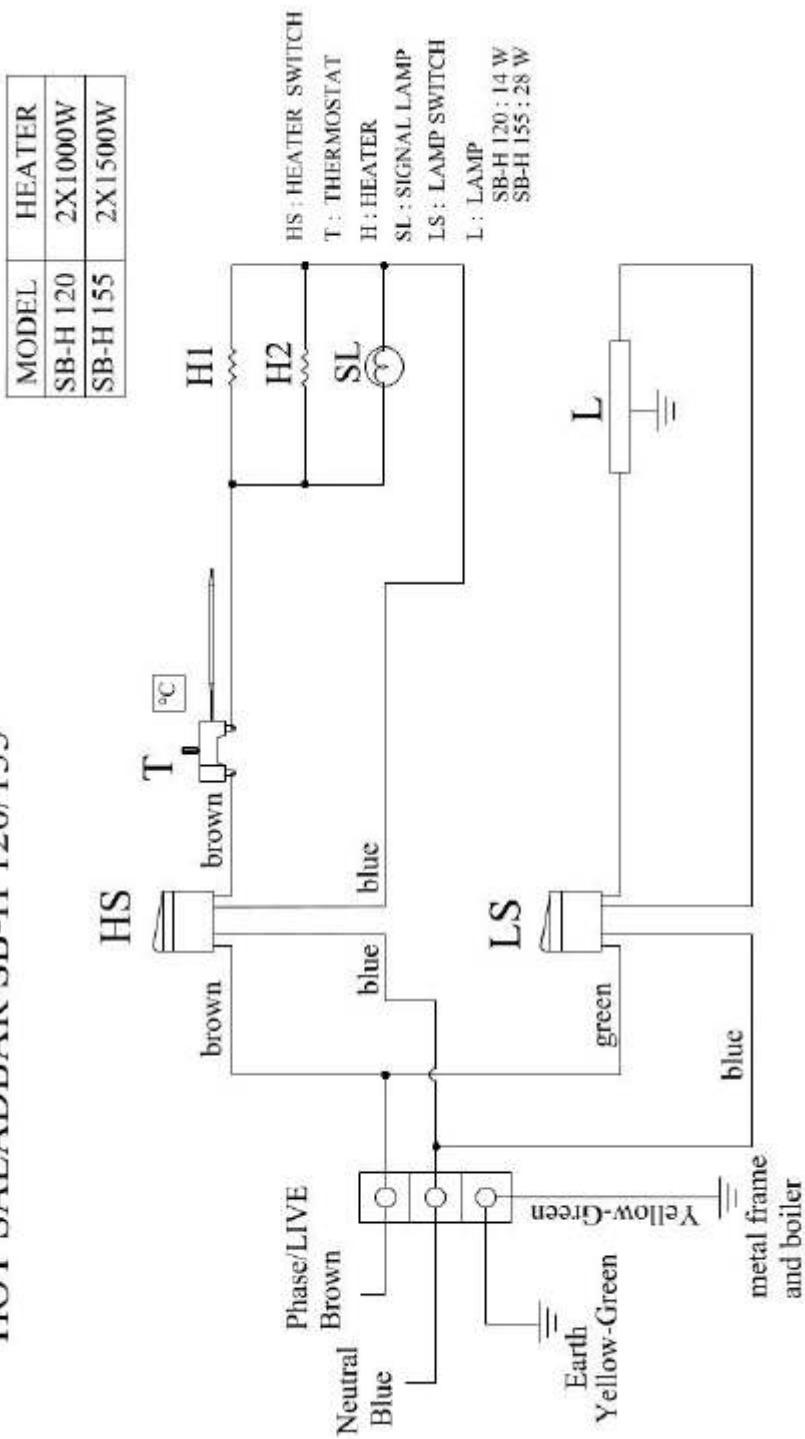
ATTENTION !

Pour exclure tout risque d'abus et les dangers encourus, il faut rendre les déchets impropres à l'utilisation avant de les jeter. Pour ce faire, débranchez l'appareil du réseau et débranchez le câble d'alimentation.

ELECTRICAL DIAGRAM / ELEKTRISCH SCHEMA / SCHALTPLAN / SCHEMA ÉLECTRIQUE

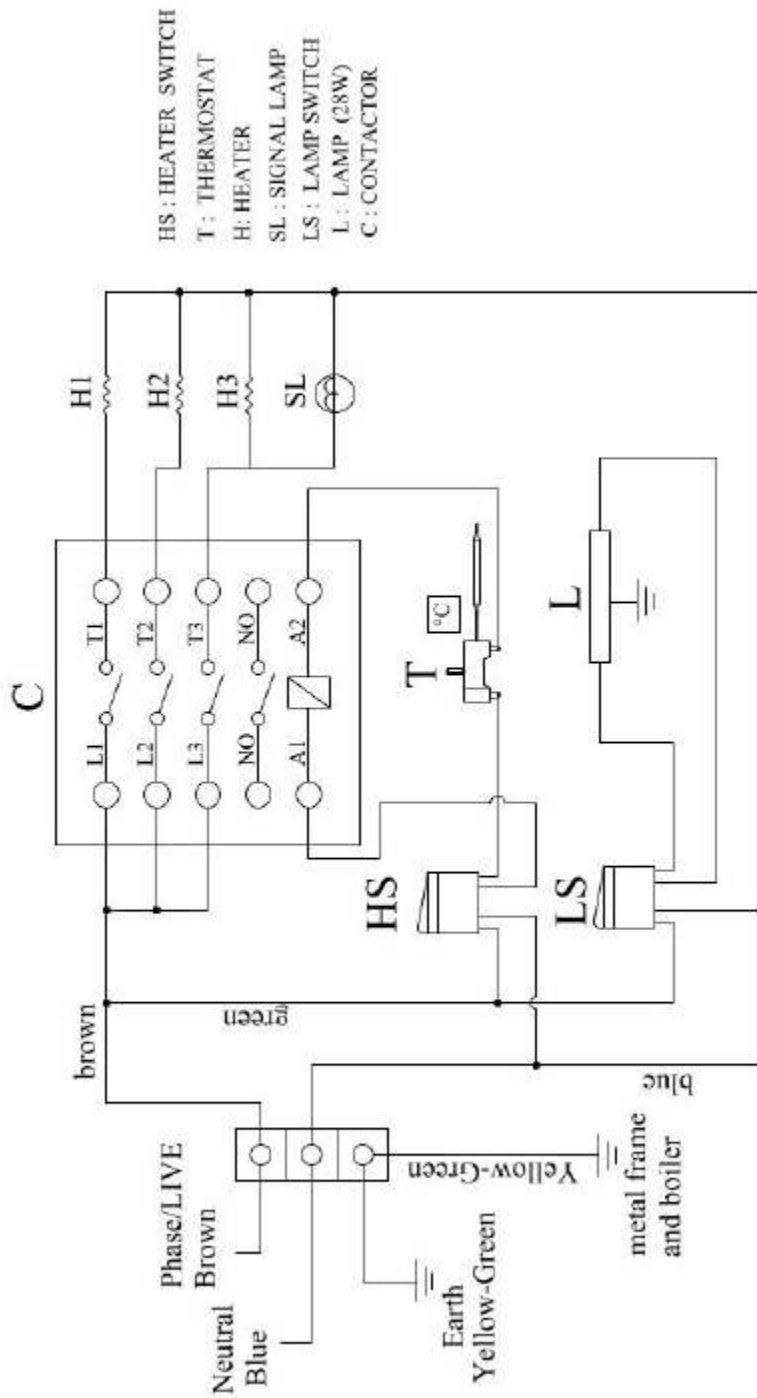
7077.0020 – 7077.0025

ELECTRIC DIAGRAM
HOT SALADBAR SB-H 120/155



**ELECTRIC DIAGRAM
SB-H 220**

MODEL	HEATER
SB-H 220	3x1500W



HS : HEATER SWITCH
 T : THERMOSTAT
 H : HEATER
 SL : SIGNAL LAMP
 LS : LAMP SWITCH
 L : LAMP (28W)
 C : CONTACTOR